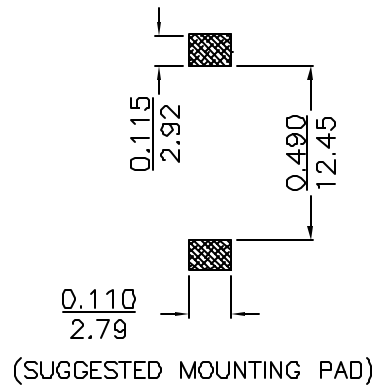
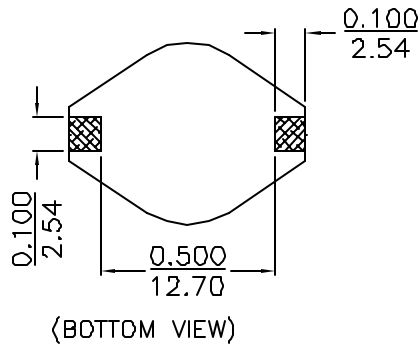
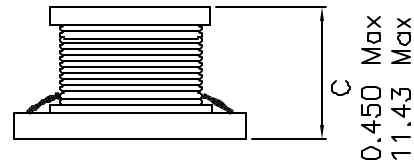
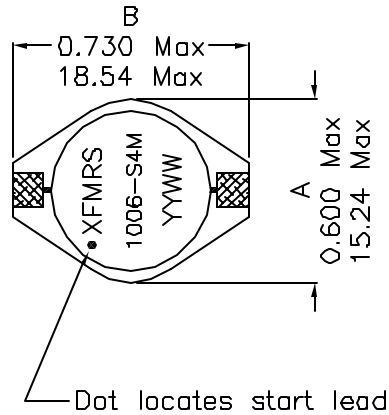
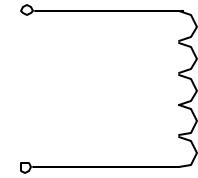


1. Mechanical Dimensions:



2. Schematic:



3. Electrical Specifications:

OCL: $99\mu\text{H} \pm 20\%$ @100KHz 0.1V, 0Adc

DCR: 0.1530 Ohms Max

Isat: 5.3Adc (Based on a 20% drop in OCL)

Icont: 2.3Adc (Based on a 40°C Temp Rise)

Notes:

1. Solderability: Leads shall meet MIL-STD-202G, Method 208H for solderability.
2. Flammability: UL94V-0
3. ASTM oxygen index: > 28%
4. Insulation System: Class F 155°C, UL file E151556
5. Operating Temperature Range: All listed parameters are to be within tolerance from -40°C to +85°C
6. Storage Temperature Range: -55°C to +125°C
7. Aqueous wash compatible
8. SMD Lead Coplanarity: ± 0.004 " (0.102mm)
9. Electrical and mechanical specifications 100% tested
10. RoHS Compliant Component

XFMRS Inc. www.XFMRS.com	Title: XFSDM4M SERIES INDUCTOR		
	UNLESS OTHERWISE SPECIFIED TOLERANCES: .xxx ± 0.010 INCH Dimensions in INCH/MM	P/N: XF1006-S4M	REV. A
SHEET 1 OF 1	DWN.	Juan Mao	Feb-16-08
	CHK.	YK Liao	Feb-16-08
	APP.	BW	Feb-16-08

DOC REV: A/3

PROPRIETARY Document is the property of XFMRS Group & is not allowed to be duplicated without authorization.